

# GRO WIZARD

Expand your growing season with the GroWizard raised garden greenhouse system. In the wet and cloudy Pacific Northwest, GroWizard can expand a growing season to span from February to November.

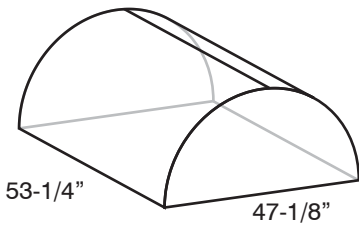
GroWizard is constructed with high quality materials as used in commercial building projects; aircraft-grade aluminum frame and UV stable polycarbonate sheets. Polycarbonate is significantly stronger than traditional acrylic sheets, almost indestructible, and is what bullet proof glass is made of.

Automatic ventilation is provided by heat-activated louvers on each end to allow for maximum air flow. Heat-activated louvers open when the internal temperature raises above 70° and closes when the temperature drops below 40°.



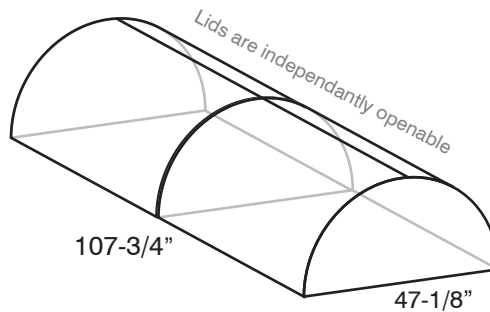
Gas assisted struts allows the GroWizard to fully open for full access to your crop with ease.

## Available in Two Standard Sizes.



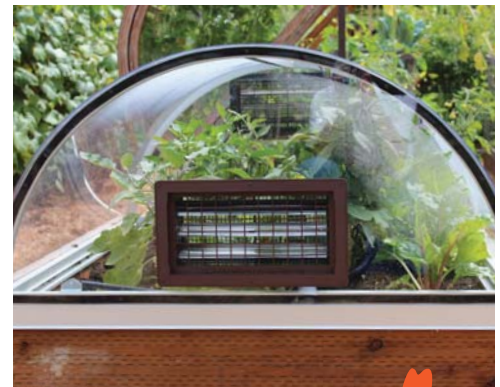
### SINGLE LID

Fits over outside garden box size of 47-1/8" x 53-1/4"



### DOUBLE LID

Fits over outside garden box size of 47-1/8" x 107-3/4"



**LET COOL AIR IN  
KEEP CRITTERS OUT**



**5 YEAR  
WARRANTY**