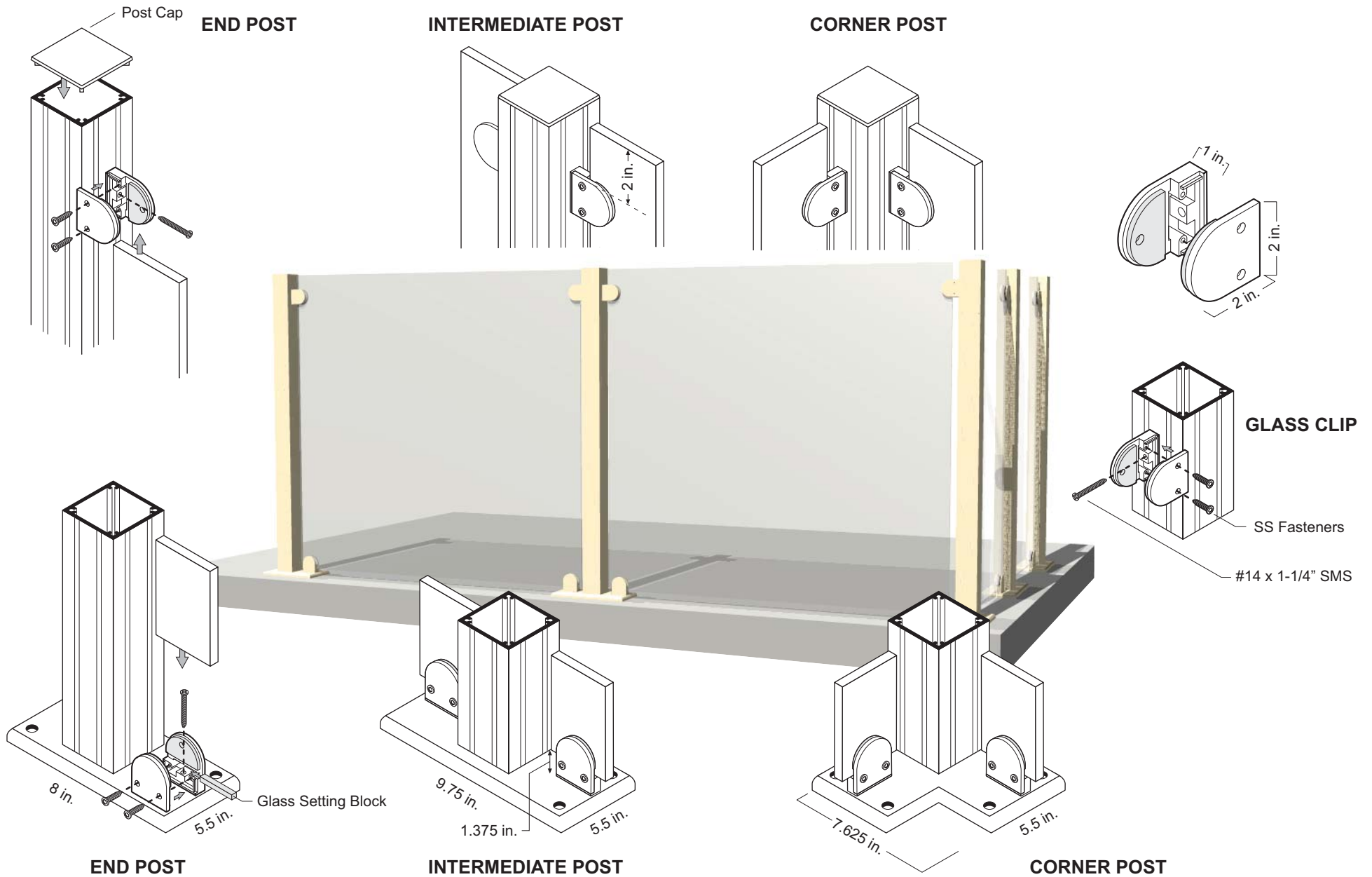


Details shown below are graphical representations only. For accurately scaled and dimensioned details, please visit www.CrystaliteInc.com.



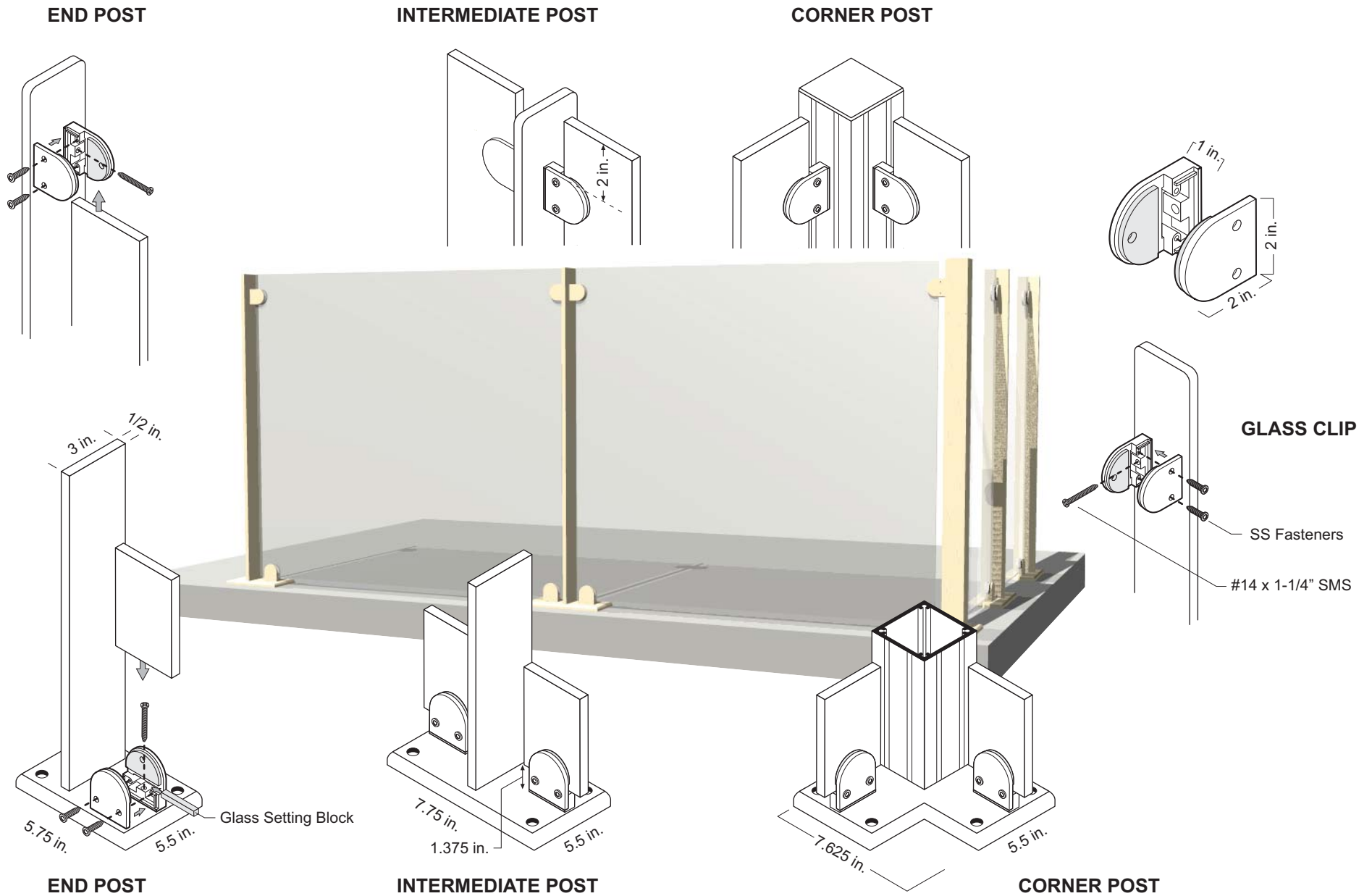
Infinity Railing System

Glass Panel - Aluminum Railing

DECK MOUNT

Crystalite railings are structurally designed and stamped by an independent structural engineer. Crystalite will select the appropriate post size and spacing to meet code requirements for Exposures B, C, and D with wind speeds up to 120 mph.

Details shown below are graphical representations only. For accurately scaled and dimensioned details, please visit www.CrystaLiteInc.com.



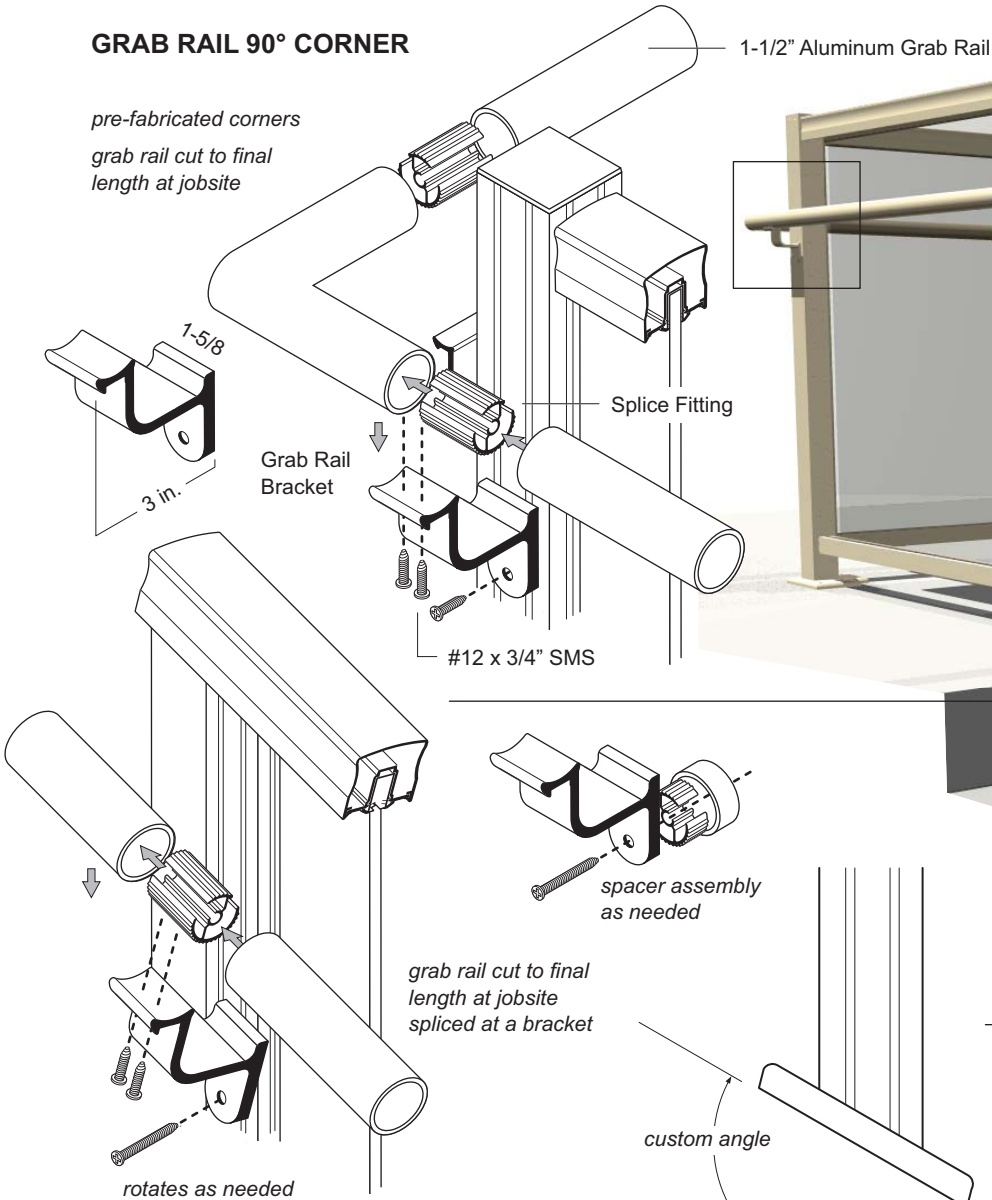
Infinity Railing System
 Glass Panel - Aluminum Railing
 SLIM - DECK MOUNT

CrystaLite railings are structurally designed and stamped by an independent structural engineer. CrystaLite will select the appropriate post size and spacing to meet code requirements for Exposures B, C, and D with wind speeds up to 120 mph.

Details shown below are graphical representations only. For accurately scaled and dimensioned details, please visit www.CrystaLiteInc.com.

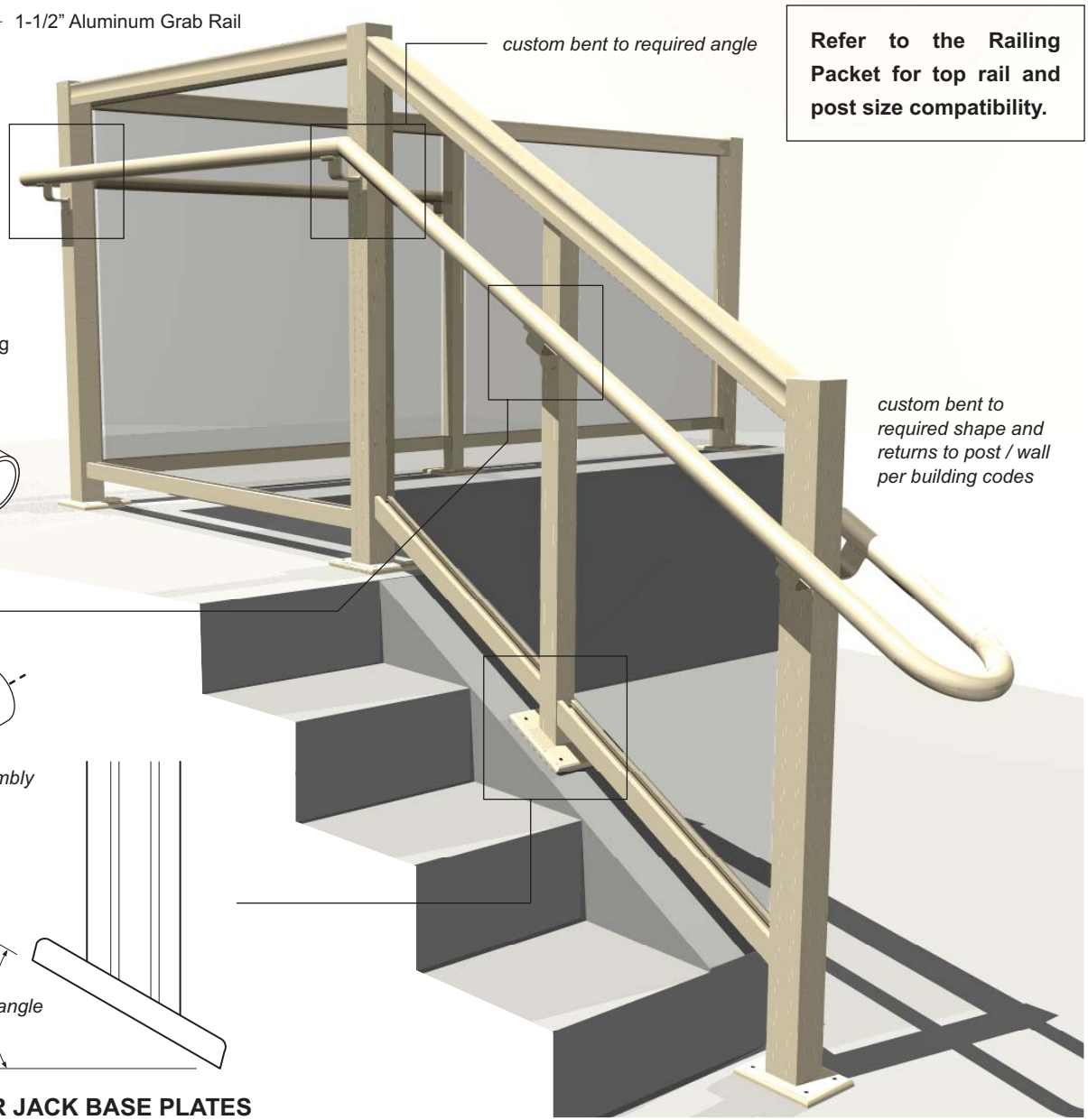
GRAB RAIL 90° CORNER

*pre-fabricated corners
grab rail cut to final
length at jobsite*



GRAB RAIL DOWN A SLOPE

STAIR JACK BASE PLATES



Refer to the Railing Packet for top rail and post size compatibility.



9020 Grab Rail
Aluminum Railing System

CrystaLite railings are structurally designed and stamped by an independent structural engineer. CrystaLite will select the appropriate post size and spacing to meet code requirements for Exposures B, C, and D with wind speeds up to 120 mph.