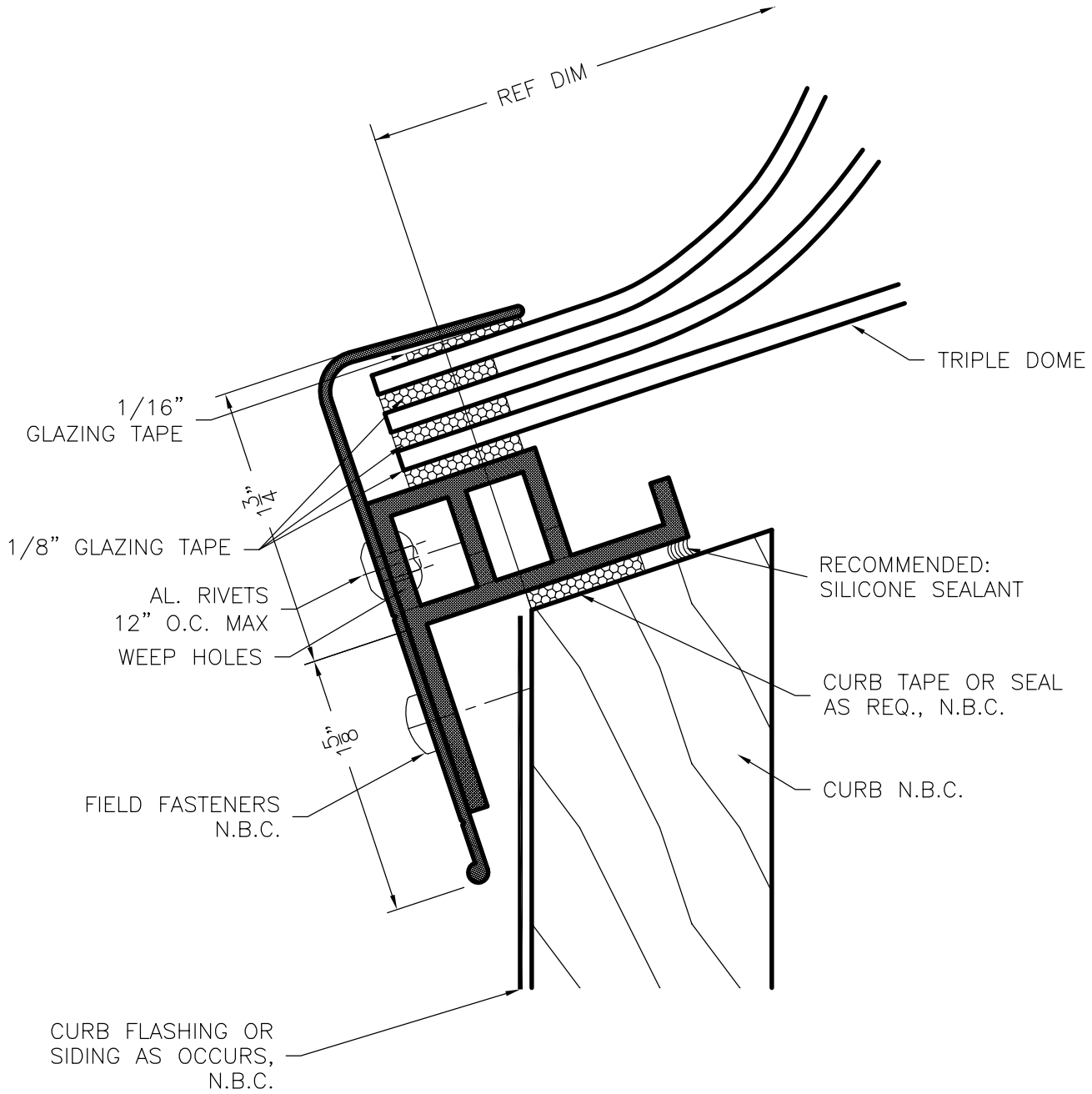
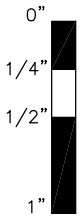


**SERIES  
5842**



GENERIC GLAZING DETAILS.  
ACTUAL DESIGN AND MAKE-UP VARY AS REQUIRED.



**Triple Dome w/ Curb Cut To Pitch**

NAMI certified and rated by NFRC for thermal performance; and certified in accordance to the NAFS Standard [AAMA/WDMA/CSA 101/1.S.2/A440] for air infiltration, water penetration and structural loading - as required by the IBC; commonly referred to as 'AAMA Testing.'