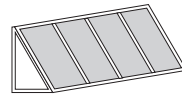
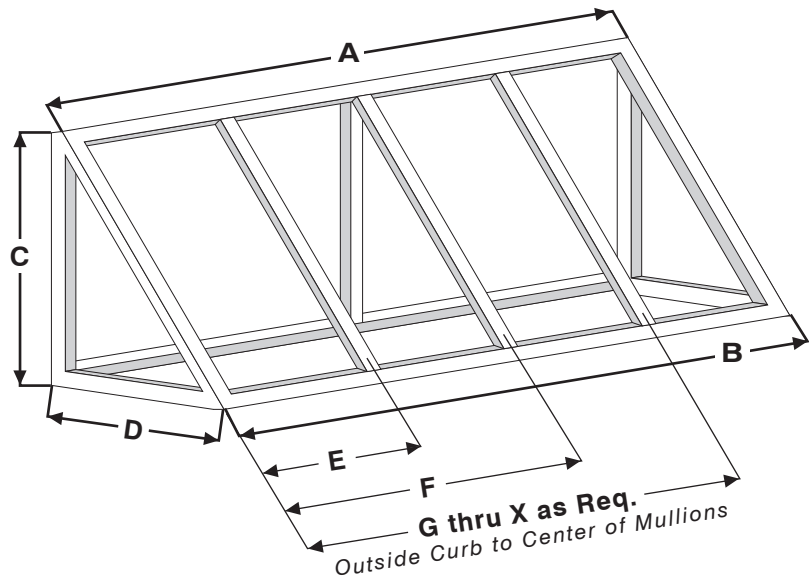
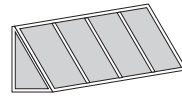


Dealer / Contact		Date
Email / Phone	<input type="checkbox"/> Quote Only <input type="checkbox"/> Dealer PO	

AWNING



Open Ends



Closed Ends

Roof Pitch

___" ¹²"

Minimum 2/12 pitch required for all glass & flat-glazed skylites.

Frame Type

- 4843
- 30258
- Other

Frame Color

- Bronze Anodized
- Clear Anodized
-

Glazing Type

- Residential Commercial
- Laminated or Polycarb. Glazing Required*

	Outside Curb Dim.
	<i>inches</i>
A	
B	
C	
D	

		Number of Lites	
		Mullion Spacing from Outside Edge to Mullion Centers (optional)	
	<i>inches</i>		<i>inches</i>
G		M	
H		N	
I		O	
J		P	
K		Q	
L		R	
		S	
		T	
		U	
		V	
		W	
		X	

ADDITIONAL INFORMATION

Use this space to sketch out and list the dimensions of any information not mentioned on the previous page. This could include such items as glaze-in-openers, obstructions, etc...

Specific Curb Make-Up

Use this space to sketch out and list the dimensions of the curb and any finishing associated with the curb.

Specific Notations

Use this space to list critical items we should be aware of, such as: loading requirements, height restrictions, fall protection, and any other local requirements.

Engineering Calculations Required

Job Location _____

Snow Load _____ Seismic Zone _____

Wind Load _____ Exposure _____

Opening Skylite Accessories

Pre-Wire Frame Length of Pig-Tail _____

Manual Opener

Truth Chain Drive

Hand Angle Drive

White Bronze

Pole Straight Drive

Pole

3'- 5' 6'-10'

Electric Opener

Truth HS (remote standard)