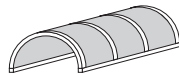
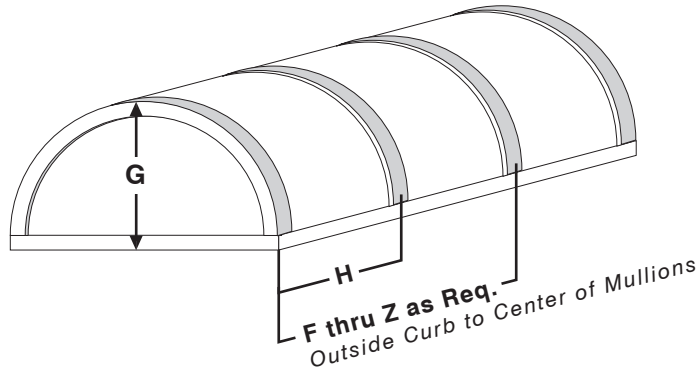
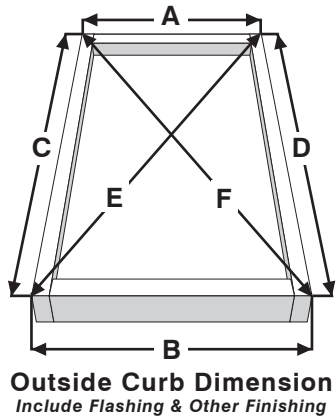
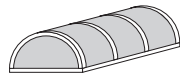


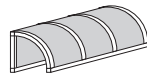
Dealer / Contact	Date
Email / Phone	<input type="checkbox"/> Quote Only <input type="checkbox"/> Dealer PO
BARREL VAULT	



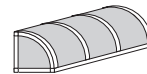
Open Ends



Closed Ends



1/4 Vault
Open Ends



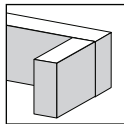
1/4 Vault
Closed Ends

* check the appropriate side if a wall is present

Outside Curb Dim.	
	inches
A	
B	
C	
D	
E	
F	

Number of Lites			
Mullion Spacing from Outside Edge to Mullion Centers (optional)			
	inches	inches	inches
G		M	T
<input type="checkbox"/> Half Round		N	U
H		O	V
I		P	W
J		Q	X
K		R	Y
L		S	Z

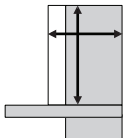
Curb Condition see page 2 to record curb material make-up



O.A. Finished Curb Thickness: _____"
Please note if head and sill curb conditions vary.

Curb Height: _____"

O.A. Finished Rafter Thickness: _____"



Roof Pitch _____

_____ " ¹² " Roof Material: _____
Minimum 2/12 pitch required for all glass.

Frame Type _____

- 4843
- 30258
- Other

Frame Color _____

- Bronze Anodized
- Clear Anodized
-

Glazing Type _____

- Residential
 - Commercial
- Laminated or Polycarb. Glazing Required*

ADDITIONAL INFORMATION

Use this space to sketch out and list the dimensions of any information not mentioned on the previous page. This could include such items as glaze-in-openers, obstructions, etc...

Specific Curb Make-Up

Use this space to sketch out and list the dimensions of the curb and any finishing associated with the curb.

Specific Notations

Use this space to list critical items we should be aware of, such as: loading requirements, height restrictions, fall protection, and any other local requirements.

Engineering Calculations Required

Job Location _____

Snow Load _____ Seismic Zone _____

Wind Load _____ Exposure _____

Opening Skylite Accessories

Pre-Wire Frame Length of Pig-Tail _____

Manual Opener

Truth Chain Drive

Hand Angle Drive

White Bronze

Pole Straight Drive

Pole

3'- 5' 6'-10'

Electric Opener

Truth HS (remote standard)