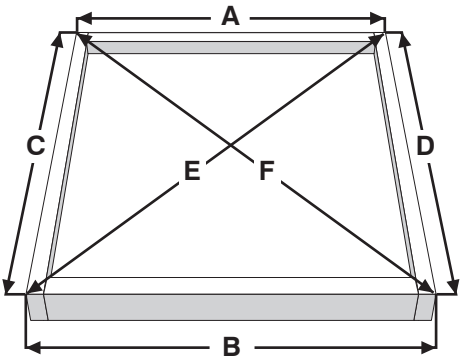


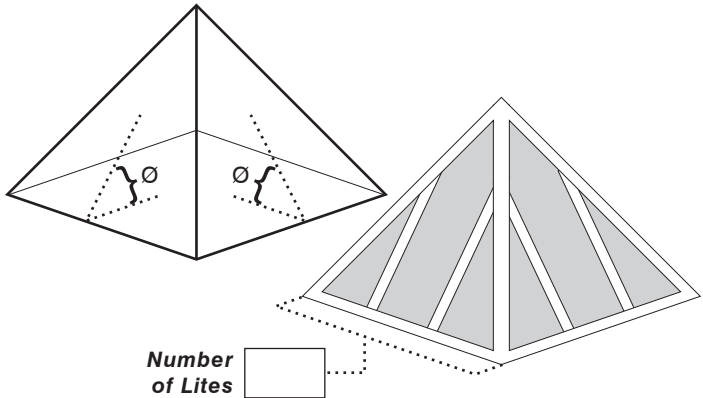
Dealer / Contact \_\_\_\_\_ Date \_\_\_\_\_

Email / Phone \_\_\_\_\_  Quote Only  Dealer PO

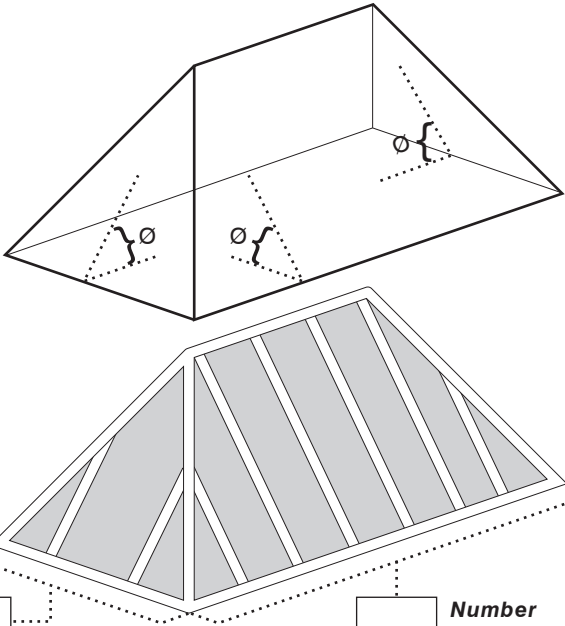
**PYRAMID or HIP RIDGE**



**Outside Curb Dimension**  
Include Flashing & Other Finishing



Number of Lites



Number of Lites

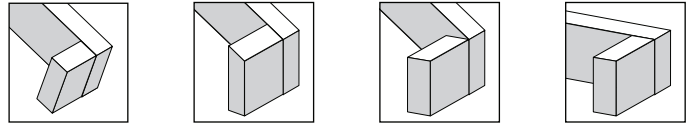
Number of Lites

\* check the appropriate side if a wall is present

	Outside Curb Dim.	
	inches	wall
A		
B		
C		
D		
E		
F		

Common Angle
degrees
or pitch
_____ " 12"

**Curb Condition** see page 2 to record curb material make-up

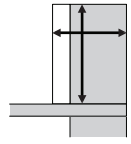


- 90° Curb to Roof Pitch
- Plumb Curb Cut To Pitch
- Plumb Curb Flat Top
- Flat Roof

O.A. Finished Curb Thickness: \_\_\_\_\_"  
Please note if head and sill curb conditions vary.

Curb Height: \_\_\_\_\_"

O.A. Finished Rafter Thickness: \_\_\_\_\_"



**Roof Pitch** \_\_\_\_\_

\_\_\_\_\_ " 12" Roof Material: \_\_\_\_\_  
Minimum 2/12 pitch required for all glass.

**Frame Type** \_\_\_\_\_ **Frame Color** \_\_\_\_\_

- 3921  4843  Bronze Anodized
- 3962  30258  Clear Anodized
- Other  \_\_\_\_\_

**Glazing Type** \_\_\_\_\_

- Residential  Commercial
- Laminated or Polycarb. Glazing Required

\_\_\_\_\_

## ADDITIONAL INFORMATION

Use this space to sketch out and list the dimensions of any information not mentioned on the previous page. This could include such items as glaze-in-openers, obstructions, etc...

### Specific Curb Make-Up

Use this space to sketch out and list the dimensions of the curb and any finishing associated with the curb.

### Specific Notations

Use this space to list critical items we should be aware of, such as: loading requirements, height restrictions, fall protection, and any other local requirements.

### Engineering Calculations Required

Job Location \_\_\_\_\_

Snow Load \_\_\_\_\_ Seismic Zone \_\_\_\_\_

Wind Load \_\_\_\_\_ Exposure \_\_\_\_\_

### Opening Skylite Accessories

Pre-Wire Frame      Length of Pig-Tail \_\_\_\_\_

Manual Opener

Truth Chain Drive

Hand Angle Drive

White     Bronze

Pole Straight Drive

Pole

3'- 5'     6'-10'

Electric Opener

Truth HS (remote standard)