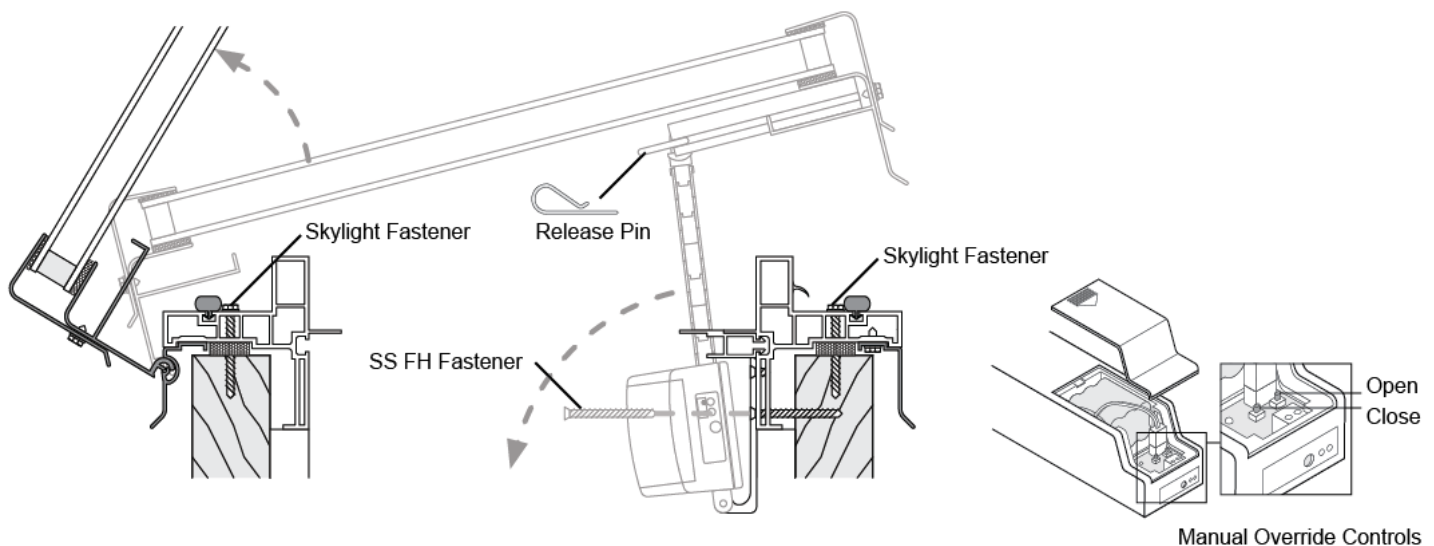


The skylight must be angled to the same pitch as it will be installed when pairing the Remote to the Operator in order for Solar Smart to accurately calibrate itself. Ideally, the Remote should be paired with the Operator AFTER the skylight has been installed on to the curb. Please follow these steps for installation.

NOTE The solar panel and battery pack must be unplugged to initiate the pairing sequence

Skylight and Operator Installation

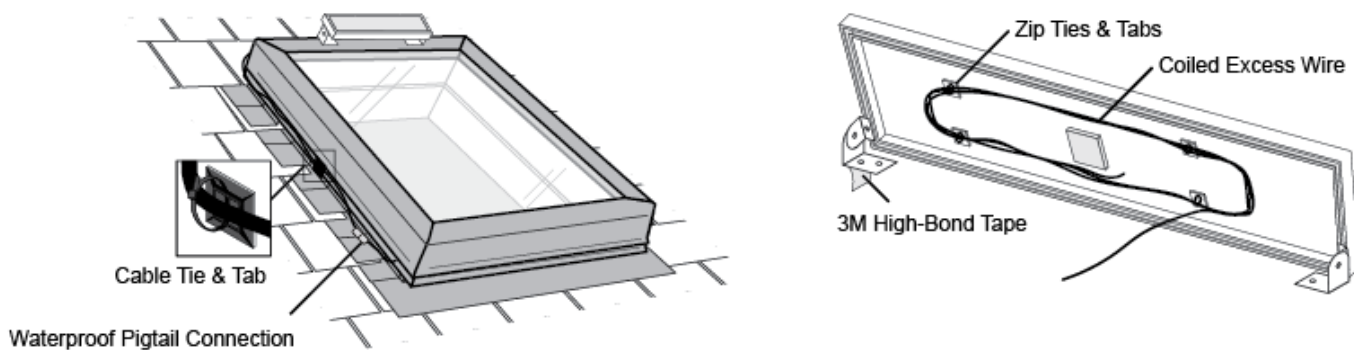
1. Remove the operator battery cover and plug the battery pack into the operator.
2. Inside the battery compartment, use the manual override buttons to run the operator to full open. Close the battery cover.
3. Place the opened skylight on to the curb.
4. Hold or secure the skylight upper frame. Remove the release pin that connects the operator's chain to the upper frame, and carefully allow the operator and chain to rotate down into the skylight well.
 - a. **NOTE:** Take care not to lift the upper frame too far as it will disengage from the base frame at 90°. If disengaged, it can be reinstalled at a later point, but this can be an awkward task for large units.
5. Try to maintain an equal reveal on all sides, centering the skylight on both directions. Push down on the base frame to compress the curb tape and secure the skylight to the top of the curb using the provided fasteners at the pre-drilled holes of the base frame. Do not over tighten.
6. Use the supplied 2" SS FH fasteners to further secure the operator to the side of the skylight well, through the lower 2 holes of the mounting bracket.
 - a. If the upper frame did disengage from the base frame, reattach it now. Hold the upper frame 90° to the base frame. Engage the hinge and slowly rotate the upper frame down. Do not force or bend the hinge.
7. Rotate the operator back upright, lower the upper frame, and reconnect the chain to the upper frame using the release pin.
8. Use the override buttons in the battery compartment to partially close and reopen the skylight to ensure that the skylight is smoothly operable after installation. If it is not, check the hinge alignment or other debris possibly in the way.
9. **Unplug the battery until ready to pair the Operator with the Remote.**



Solar Panel Installation

The solar panel is intended to be securely mounted to the top of the skylight frame using the 3M high-bond tape provided, without any mechanical fasteners. Never screw or penetrate into the skylight frame or cap, doing so will void the warranty and likely cause failure of the skylight frame or glazing.

1. Determine the best location and angle for the solar panel to be mounted to maximize it to direct sunlight exposure. Be sure to fully tighten the brackets to ensure the solar panel remains in proper alignment during high winds.
 - a. If the supplied length of wire attached to the solar panel is not long enough for your determined location, extension wire lengths are available. Do not cut and splice in more wire, doing so will likely result in too low of current flow for the solar panel to properly charge the battery. The wire specifications and connections used are specially selected to not reduce the low-current flow while providing a weather / water tight system.
2. Plug the solar panel into the pigtail coming out of the skylight sill.
3. Secure the exposed wire to the base frame using the cable ties and adhesive tabs. Coil the excess wire and secure it to the back of the solar panel using the cable ties and adhesive tabs.
4. **Unplug the Solar Panel from the pigtail until after the Remote is paired.**



With the battery pack AND solar panel unplugged, see instructions on PAIRING the REMOTE now.

Rain Sensor

If the Rain Sensor is to be used – it must be installed horizontally, with a slight tilt to prevent water from pooling. The Rain Sensor requires regular cleaning and maintenance, to ensure dust and build-up does not produce a false reading.

INITIAL REMOTE SETUP and CONFIGURATION

- The following are applicable for configuring the main remote only. To configure additional remotes, refer to 'Multiple Remotes' for more information.
- Pressing **MODE** does not work when zone in remote display is set to **ALL**. Press **ZONE** to exit zone **ALL**.
- All steps must be performed within 30 seconds or the remote control will default to the previous settings.

1. Open the remote battery cover and install the two AA alkaline batteries and replace the cover.
2. All the screen display segments will be visible while the remote runs a self-test which lasts for a few seconds. After which, **SET** will be displayed.
3. Press **▲▼** to choose either **C** (Celsius) or **F** (Fahrenheit).
4. Press **ENTER** to save your selection.
5. Press **▲▼** to choose either **M** (main) or **S** (secondary). Select **M** for main.
Note: Secondary is only used when using additional remotes. Refer to 'Multiple Remotes' for more information.
6. Press **ENTER** to save your selection.
7. **ZONE ALL** and the temperature should now be displayed.

PAIRING the REMOTE to the OPERATOR

The Operator

NOTE	The remote will need to be paired within 2 minutes, or the operator will default back to the previous settings.
-------------	---

1. Remove the battery cover from the operator. If connected, disconnect the battery connector from the operator circuit board, for at least 30 seconds.
2. Connect the battery connector to the operator circuit board, pressing firmly until the plug is locked into place.
3. The red light on the circuit board will continually blink while it is in pairing mode.

The Remote

1. Press any key to wake up the remote, if the display has powered off.
2. Press and hold the **MODE**, release when **PAIR SET** is displayed.
3. Press **ZONE** as necessary to choose the appropriate zone (**1** thru **9**).
4. Press **ENTER** to save your selection.
5. Press **▲▼** to choose the ID number (**1** thru **9**) within the zone. ID numbers already in use will not be displayed.
6. Press **ENTER** to save your selection. The remote will attempt to pair to the operator.
7. **SUCC** will be displayed to indicate a successful pairing. The operator will then fully open then close one cycle. **DO NOT** press any buttons on the remote until this cycle completes.
 - a. If a **FAIL** message is displayed, press **ENTER** on the remote to try to pair again.
 - b. If a **FAIL** message is displayed again, ensure that the operator is in pairing mode. If the red light is not still blinking, disconnect and reconnect the battery connector on the operator and repeat steps 1-7 again.
8. **Reconnect the Solar Panel to the pigtail connection.**

The Insect Screen

Once the skylight, the operator, and the remote are confirmed to be properly installed and setup, the insect screen is the final step.

1. The screen is designed to be installed from the interior to allow for removal for cleaning of the interior glass surfaces.
2. Install the screen by inserting the spring clips into the pocket at the sill of the skylight base frame.
3. Push the tabs on the screen to extend into the groove at the head of the skylight base frame.

