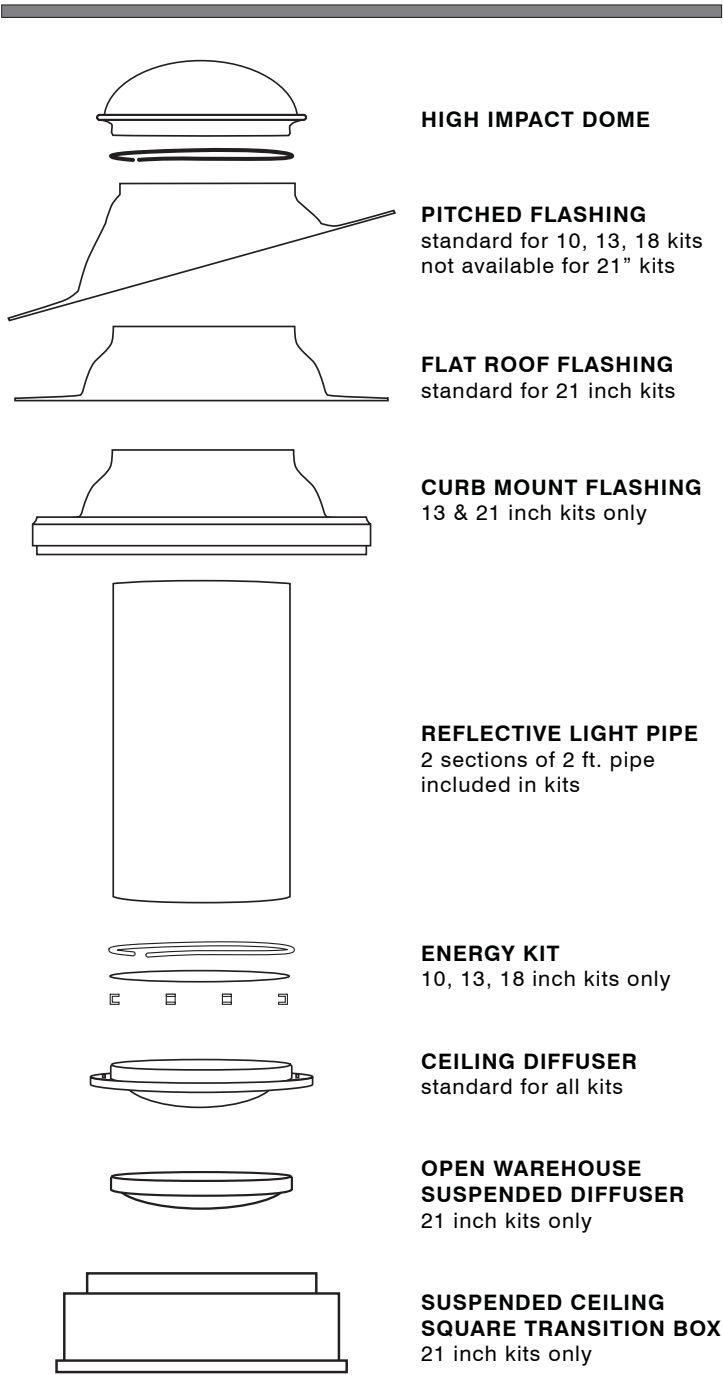


Dealer:	Date:	<input type="checkbox"/> Quote Only <input type="checkbox"/> Dealer PO
Attn:	Phone:	Fax:
TUBULAR SKYLIGHT ORDER FORM		

	10" KIT	13" KIT	18" KIT	21" KIT
Quantity				
Roof Flashing	<input type="checkbox"/> Pitched (standard) <input type="checkbox"/> Flat Roof	<input type="checkbox"/> Pitched (standard) <input type="checkbox"/> Flat Roof <input type="checkbox"/> Curb Mount	<input type="checkbox"/> Pitched (standard) <input type="checkbox"/> Flat Roof	<input type="checkbox"/> Flat Roof (standard) <input type="checkbox"/> Curb Mount
Diffuser	<input type="checkbox"/> Ceiling (standard)	<input type="checkbox"/> Ceiling (standard)	<input type="checkbox"/> Ceiling (standard)	<input type="checkbox"/> Ceiling (standard) <input type="checkbox"/> Open Warehouse <input type="checkbox"/> Transition Box
Diffuser Lens	<input type="checkbox"/> Prismatic (standard) <input type="checkbox"/> Soft White <input type="checkbox"/> Skybrite	<input type="checkbox"/> Prismatic (standard) <input type="checkbox"/> Soft White <input type="checkbox"/> Skybrite	<input type="checkbox"/> Prismatic (standard) <input type="checkbox"/> Soft White <input type="checkbox"/> Skybrite	<input type="checkbox"/> Prismatic (standard) <input type="checkbox"/> Soft White <small>(NA for Transition Box)</small> <input type="checkbox"/> Skybrite

ACCESSORIES - please indicate quantity				
2 ft. Light Pipe				
Adjust. Elbows				
Remote Dimmer			NA	
Light Kit				
Exhaust Fan		NA	NA	NA
Tile Roof Flashing				NA



HIGH IMPACT DOME

PITCHED FLASHING
standard for 10, 13, 18 kits
not available for 21" kits

FLAT ROOF FLASHING
standard for 21 inch kits

CURB MOUNT FLASHING
13 & 21 inch kits only

REFLECTIVE LIGHT PIPE
2 sections of 2 ft. pipe
included in kits

ENERGY KIT
10, 13, 18 inch kits only

CEILING DIFFUSER
standard for all kits

**OPEN WAREHOUSE
SUSPENDED DIFFUSER**
21 inch kits only

**SUSPENDED CEILING
SQUARE TRANSITION BOX**
21 inch kits only



EVERETT
phone: 1-800-666-6065
fax: 425-258-6734

SPOKANE
phone: 1-800-382-5403
fax: 509-921-2137

SALEM
phone: 1-800-664-1257
fax: 503-391-0974