

Thank you for investing in a CrystaLite Tubular Skylight electric light kit. Please call our Tech Hotline at 800.666.6065 for questions or special instructions not covered in these instructions.

FOR MAXIMUM ENERGY EFFICIENCY, CRYSTALITE RECOMMENDS USING A CFL OR LED BULB.

NOTE: The Light Kit has been designed for use with all CrystaLite Tubular Skylight models and has been designed with UL listed parts and is UL recognized with some conditions for acceptability.

PLEASE READ BEFORE INSTALLING

1. Determine a location that is attic accessible. Remove the protective liner off the inside of the light pipe. Using a sharp ½ inch drill bit, drill a ½ inch hole 16 inches up from the bottom of the light pipe.

WARNING: Do not change the location of the hole for mounting the light kit, doing so will void the warranty and impairs safe temperature and electrical performance.

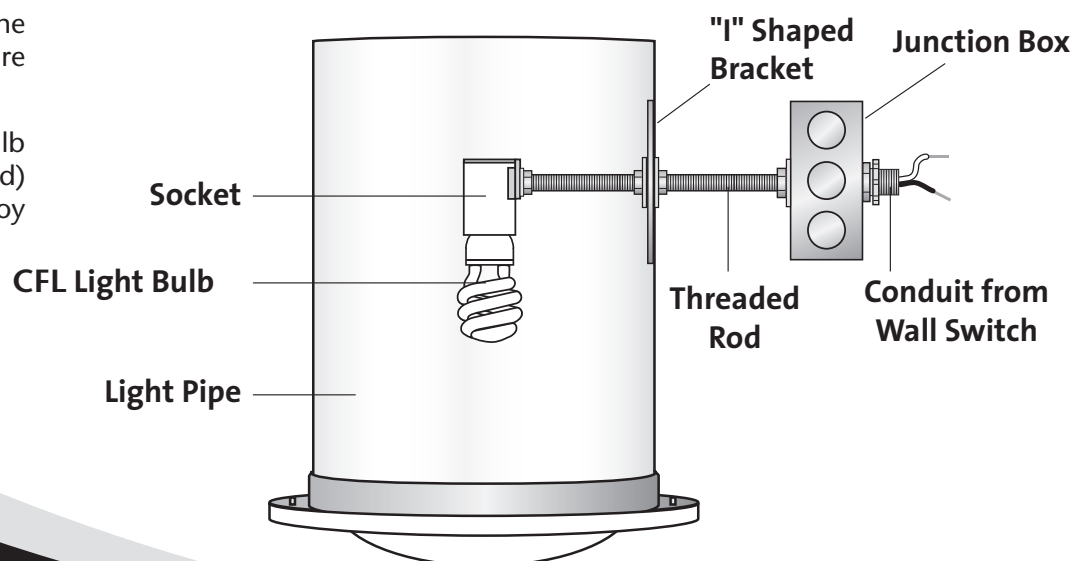
2. The main lamp bracket is already assembled from the factory. You will need to remove the conduit connector, the nut and washer from the threaded bracket rod. Next, thread the bracket through the ½ inch hole that you just drilled in the light pipe, starting from the inside of the light pipe, and align the light kit as pictured. Secure the light kit bracket to the light pipe using the aluminum "I" shaped bracket and tighten (snug). The "I" shaped bracket rests on the inside of the light pipe and the washer and tightening nut are on the outside of the light pipe.

3. Push the exposed wires through the hole that the conduit will be attached to. Adjust the threaded rod conduit into the 4" x 4" electrical box and tighten the conduit connector.

4. Bring in the switched 120 VAC supply wiring into the 4" x 4" electrical box and secure as pictured. It is important that all wiring complies with local codes, be properly grounded, (and recommended) all AC feed wiring should be through a GFCI branch circuit, connect all wires as pictured.

5. Install the cover onto the 4" x 4" electrical box and secure to a suitable location.

6. Install a 60 watt light bulb (CFL or LED bulb recommended) in the lamp socket and enjoy your new light kit.





W A R R A N T Y

*This CrystaLite Tubular Skylight
Light Kit has a 5 year warranty.*

**IMPORTANT: PLEASE COMPLETE AND MAIL THE CARD BELOW AFTER
YOUR LIGHT KIT IS INSTALLED.** This card will serve as proof of your purchase, should
you misplace your original invoice.

The manufacturer warrants this product for a period of five years
from the date of installation. This warranty is subject to proper installation of the unit in
accordance with the manufacturer's written installation instructions. The manufacturer will
not be liable for any special, incidental or consequential damages in any way related to,
or arising out of, defects in, or damage to, the tubular skylight light kit.

This warranty gives you specific legal rights, and you may have other rights which vary from
state to state concerning exclusion or limitation of incidental or consequential damages.

Please fill out the form below and mail it to:

Crystalite Tubular Skylights • 3307 Cedar Street • Everett, WA 98201

REGISTRATION

CrystaLite Light Kit Installer: _____

Customer Name: _____ Date of Purchase: _____

Address: _____

City: _____ State: _____ Zip: _____

Phone: _____ Email: _____

Customer Survey

Are you satisfied with the performance? Y N

What made you choose our product?

Were you satisfied with the installation job?