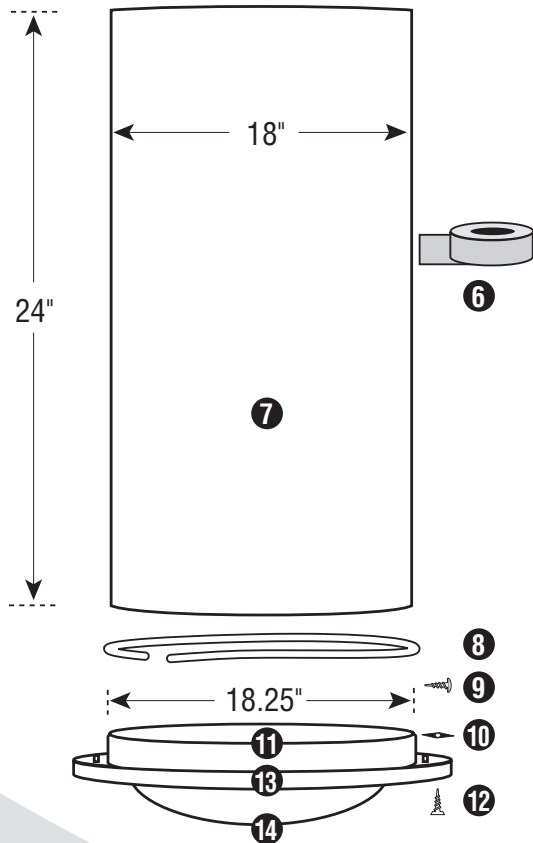
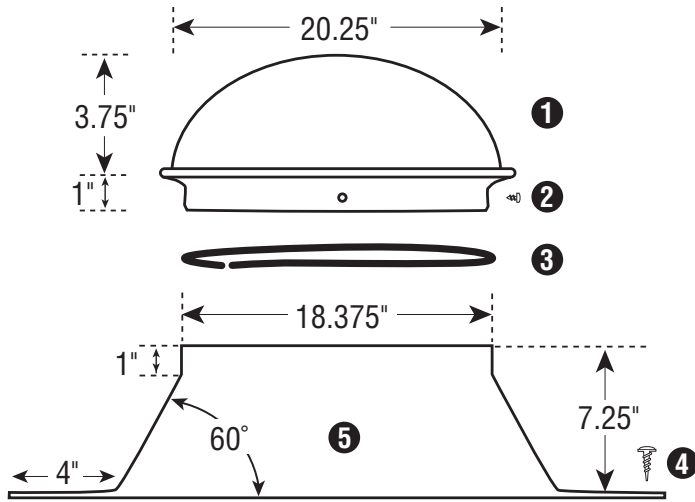


18" Tubular Skylight Technical Specifications



18" FLAT ROOF FLASHING

1. Clear UV Protected, 100% High Impact Modified Acrylic Dome
2. (4) Phillips Head Stainless Steel 1/4" Sheet Metal Screws
3. Black Nylon Horse Hair Gasket (Self-Adhesive Backed)
4. (6) Philip Head Stainless Steel 1 1/2" Screws
5. 1100 Series, .080" Thickness, Aircraft Grade Aluminum Flashing
6. Heavy Duty Foil Tape
7. Light Pipe, (2) 24" Sections per Kit
8. White Nylon Horse Hair Gasket (Self-adhesive Backed)
9. (6) Tek Screws
10. (3) Black Speed Nuts
11. Aluminum Ceiling Ring
12. (3) 1 1/2" Phillips Screws
13. White Powder Coated Aluminum Trim Ring
14. High Impact Acrylic Soft White or Prismatic Diffuser

COVERAGE AREA

up to 500 sq. ft.

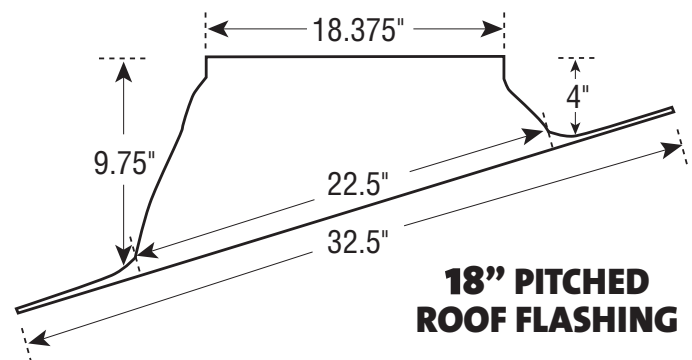
WATTAGE OUTPUT EQUIVALENT

up to 1000 watts

MAXIMUM TUBE LIGHT LENGTH

20 feet

ICBO
Approved



18" PITCHED ROOF FLASHING