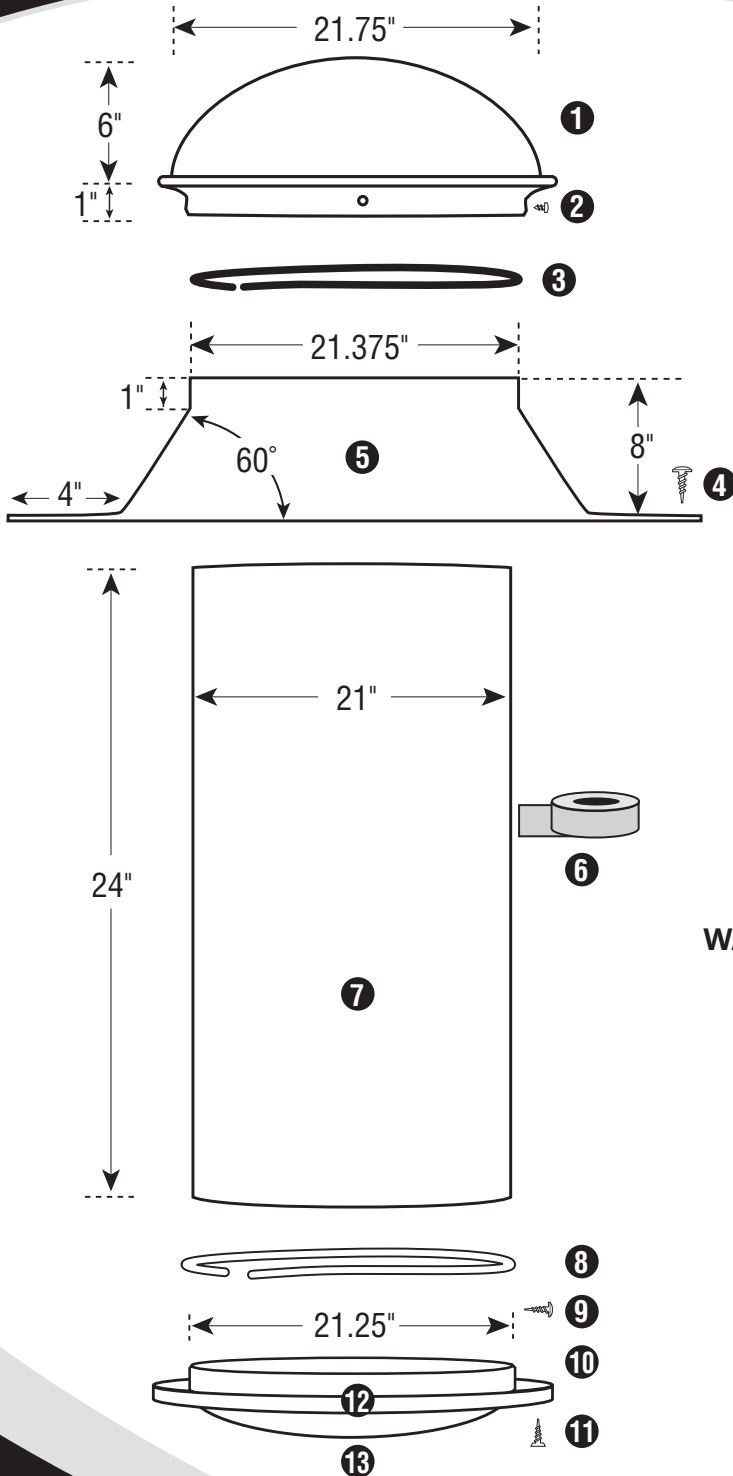


# 21" Tubular Skylight Technical Specifications



## 21" FLAT ROOF FLASHING

1. Clear UV Protected, 100% High Impact Modified Acrylic Dome
2. (4) Philips Head Stainless Steel 1/4" Sheet Metal Screws
3. Black Nylon Horse Hair Gasket (Self-Adhesive Backed)
4. (6) Phillips Head Stainless Steel 1 1/2" Screws
5. 1100 Series, .080" Thickness, Aircraft Grade Aluminum Flashing
6. Heavy Duty Foil Tape
7. Light Pipe, (2) 24" Sections per Kit
8. White Nylon Horse Hair Gasket (Self-adhesive Backed)
9. (6) Tek Screws
10. (3) Black Speed Nuts
11. (3) 1 1/2" Phillips Screws
12. White Powder Coated Aluminum Trim Ring/Ceiling Ring
13. High Impact Acrylic Soft White or Prismatic Diffuser

**COVERAGE AREA** - up to 700 sq. ft.

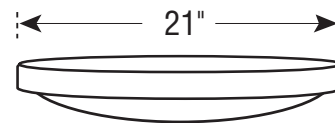
**WATTAGE OUTPUT EQUIVALENT** - up to 1450 watts

**MAXIMUM TUBE LIGHT LENGTH** - 20 feet

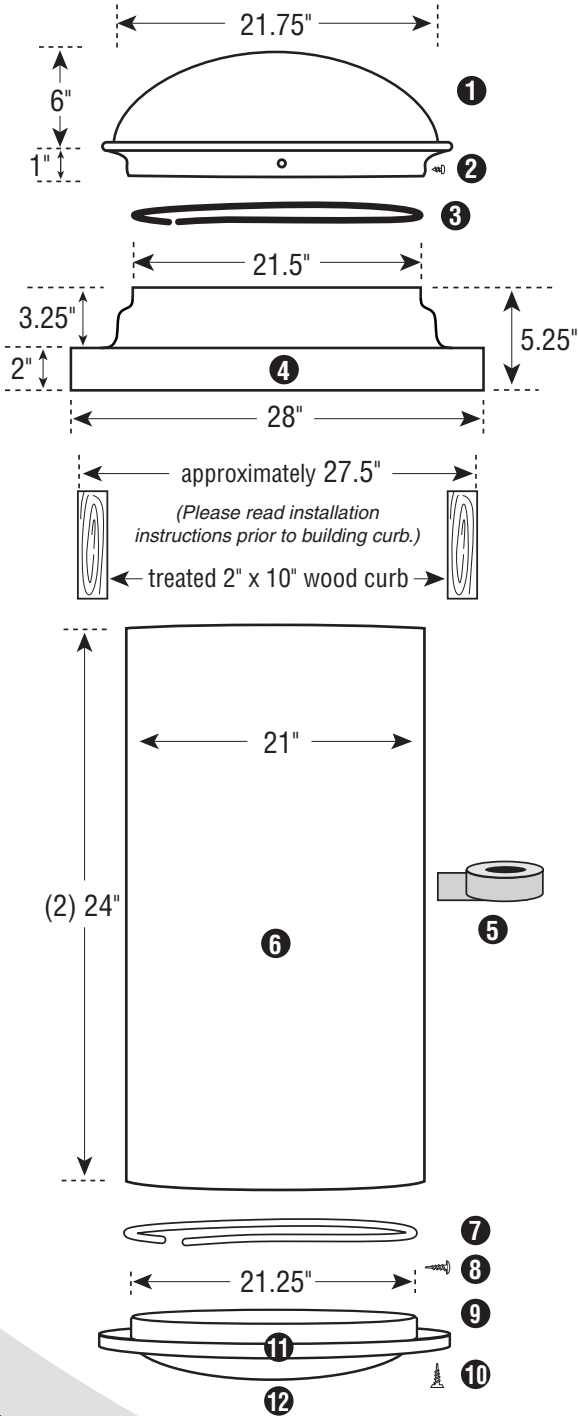


## WAREHOUSE 21" TRIM RING

for suspended installations in open ceilings



# 21" Curb Tubular Skylight Technical Specifications



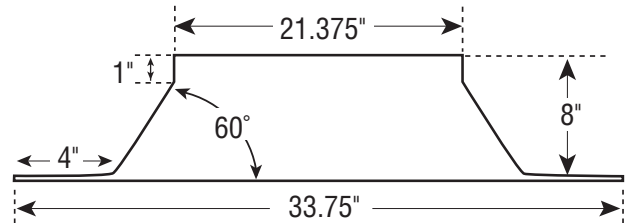
## 21" CURB-MOUNTED FLASHING

1. Clear UV Protected, 100% High Impact Modified Acrylic Dome
2. (4) Philips Head Stainless Steel 1/4" Sheet Metal Screws
3. Black Nylon Horse Hair Gasket (Self-Adhesive Backed)
4. Commercial Pure Grade, 1100 Series Aluminum Flashing
5. Heavy Duty Foil Tape
6. Light Pipe, (2) 24" Sections per Kit
7. White Nylon Horse Hair Gasket (Self-adhesive Backed)
8. (6) Tek Screws
9. (3) Black Speed Nuts
10. (3) 1 1/2" Phillips Screws
11. White Powder Coated Aluminum Trim Ring/Ceiling Ring
12. High Impact Acrylic Soft White or Prismatic Diffuser

**COVERAGE AREA** - up to 700 sq. ft.  
**WATTAGE OUTPUT EQUIVALENT** - up to 1450 watts  
**MAXIMUM TUBE LIGHT LENGTH** - 20 feet

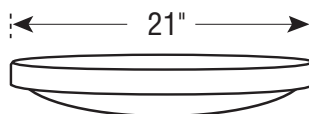


## 21" FLAT ROOF FLASHING



## WAREHOUSE TRIM RING

for suspended installations  
in open ceilings



## TRANSITION BOX

for drop ceiling installations

