

Universal Glass Clamps

The Universal Glass Clamps are compatible with CrystaLite Railing Systems, for both standard Glass Railing as well as the Infinity Railing System.

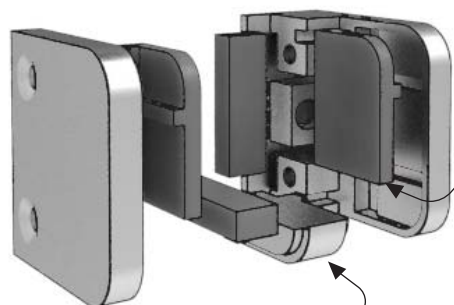
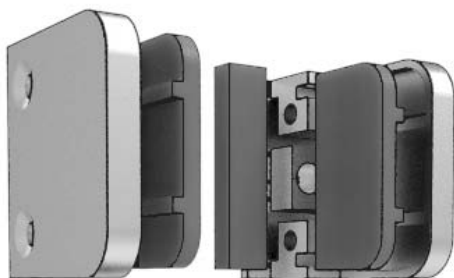
It is provided with an additional boot insert, to enable capture of both a vertical and bottom edge of glass.

The Universal Glass Clamps are provided with 2 sets of pads, allowing for a range of glass thicknesses to be used.

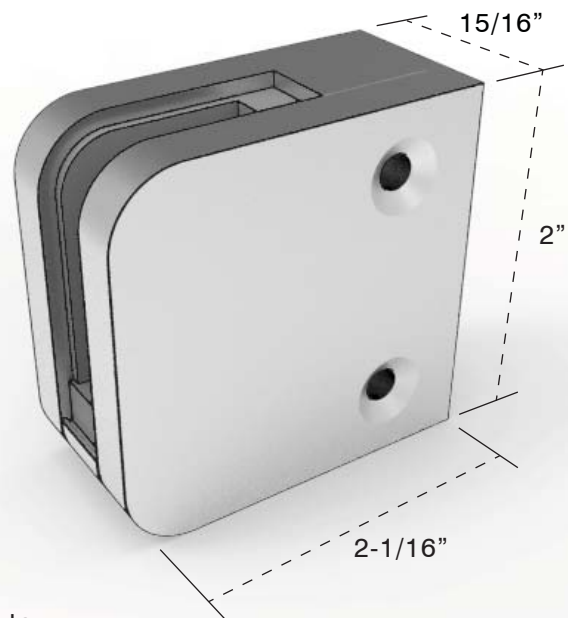
- 1/4" Glass - 2 thick pads
- 5/16" Glass - 1 thick and 1 thin pad
- 3/8" Glass - 2 thin pads
- 7/16" Glass - 2 thin pads

Available Colors

Brush Nickel, Satin Chrome, Black, Bronze, White



Boot Insert



Pads must be cut to use with the boot.
Cut along score mark.